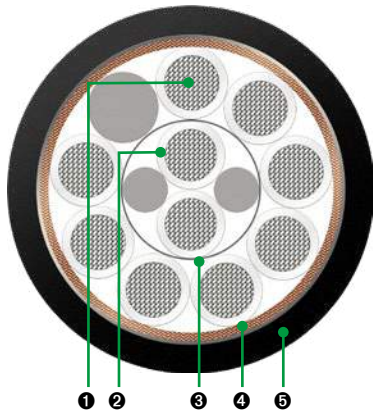


# Lightweight power cables with overall electrical screen LMGSGO

acc. to VG 95218 part 28C



## Application & characteristics

Suitable for fixed installation inside military vessels. Suitable for fixed installation in harsh environment areas.

Suitable for fixed installation in military vehicles. Operating temperature > -40 °C up to +105 °C

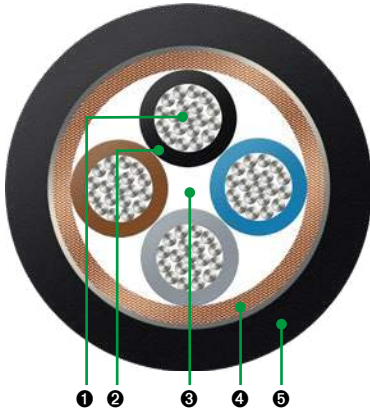
## Construction

- ❶ Core > conductor with fine stranded wires
- ❷ Insulation > special elastomer
- ❸ Wires acc. to VG 95218 part 28P
- ❹ Outer shielding > copper braid with tin-plated wires
- ❺ Sheath > flame retardant, cross-linked, black

Type description	Ø single core max.	Sheath wall thickness min.	Cable Ø min.	Cable Ø max.	Weight max.	Transfer impedance max.	Operating voltage AC/DC	VG part no.	Order no.
	mm	mm	mm	mm	kg/km	mΩ/m	V		
<b>acc. to VG 95218 part 28C</b>									
LMGSGO 2x1.5	2.34	0.7	6.2	7.0	94	100	600/900	VG95218T028C083	ERK 016866
LMGSGO 3x1.5	2.34	0.7	6.5	7.3	105	100	600/900	VG95218T028C122	ERK 016867
LMGSGO 4x1.5	2.34	0.7	7.1	7.9	135	100	600/900	VG95218T028C088	ERK 016885
LMGSGO 5x1.5	2.34	0.7	7.6	8.4	156	100	600/900	VG95218T028C090	ERK 016887
LMGSGO 7x1.5	2.34	0.7	8.2	9.0	196	70	600/900	VG95218T028C046	ERK 016894
LMGSGO 10x1.5	2.34	0.8	10.5	11.7	275	45	600/900	VG95218T028C052	ERK 016478
LMGSGO 12x1.5	2.34	0.8	10.8	12.8	309	45	600/900	VG95218T028C055	ERK 016847
LMGSGO 14x1.5	2.34	0.8	11.3	12.5	358	45	600/900	VG95218T028C058	ERK 016903
LMGSGO 16x1.5	2.34	0.8	11.9	13.1	402	45	600/900	VG95218T028C060	ERK 016906
LMGSGO 19x1.5	2.34	0.8	12.5	13.7	456	45	600/900	VG95218T028C061	ERK 016908
LMGSGO 24x1.5	2.34	0.7	15.3	16.1	585	30	600/900	VG95218T028C065	ERK 016917
LMGSGO 27x1.5	2.34	0.8	15.0	16.6	640	30	600/900	VG95218T028C066	ERK 016919
LMGSGO 33x1.5	2.34	0.9	15.8	17.6	760	30	600/900	VG95218T028C070	ERK 016926
LMGSGO 37x1.5	2.34	1.0	18.2	19.2	868	30	600/900	VG95218T028C005	ERK 016928
LMGSGO 2x2.5	2.79	0.7	7.1	7.9	126	100	600/900	VG95218T028C084	ERK 016865
LMGSGO 3x2.5	2.79	0.7	7.5	8.3	151	100	600/900	VG95218T028C086	ERK 016864
LMGSGO 4x2.5	2.79	0.7	8.2	9.0	186	70	600/900	VG95218T028C089	ERK 016862
LMGSGO 7x2.5	2.79	0.7	9.6	10.8	278	45	600/900	VG95218T028C048	ERK 016896
LMGSGO 3G1.5	2.34	0.7	6.5	7.3	105	100	600/900	VG95218T028C085	ERK 016879
LMGSGO 5G1.5	2.34	0.7	7.6	8.4	156	100	600/900	VG95218T028C091	ERK 016888
LMGSGO 7G1.5	2.34	0.7	8.0	8.8	196	70	600/900	VG95218T028C047	ERK 016895
LMGSGO 10G1.5	2.34	0.8	10.5	11.5	281	45	600/900	VG95218T028C053	ERK 016845
LMGSGO 3G2.5	2.79	0.7	7.5	8.3	151	100	600/900	VG95218T028C087	ERK 016881
LMGSGO 5G2.5	2.79	0.8	9.3	10.1	230	100	600/900	VG95218T028C128	ERK 028493
LMGSGO 7G2.5	2.79	0.7	9.6	10.8	278	45	600/900	VG95218T028C129	ERK 028494

# Communication cables with overall electrical screen FMGSGO

acc. to VG 95218 part 28C



## Application & characteristics

Suitable for fixed installation inside military vessels. Suitable for fixed installation in harsh environment areas.

Suitable for fixed installation in military vehicles. Operating temperature > -40 °C up to +105 °C

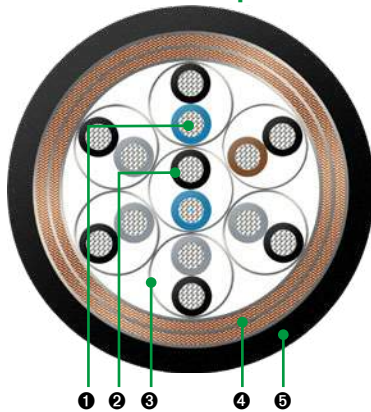
## Construction

- ❶ Core > conductor with fine stranded wires
- ❷ Insulation > special elastomer
- ❸ Twisted elements acc. to VG 95218 part 21F
- ❹ Outer shielding > copper braid with tin-plated wires
- ❺ Sheath > flame retardant, cross-linked, black

Type description	Ø single core max.	Sheath wall thickness min.	Cable Ø min.	Cable Ø max.	Weight max.	Transfer impedance max.	Operating voltage AC/DC	VG part no.	Order no.
	mm	mm	mm	mm	kg/km	mΩ/m	V		
<b>acc. to VG 95218 part 28C</b>									
FMGSGO 1x2x0.75	1.77	0.7	5.2	5.6	57	100	600/900	VG95218T028C082	ERK 016945
FMGSGO 2x2x0.75	1.77	0.7	5.7	6.3	79	100	600/900	VG95218T028C040	ERK 016472
FMGSGO 4x2x0.75	1.77	0.7	8.7	9.7	162	70	600/900	VG95218T028C050	ERK 016898
FMGSGO 6x2x0.75	1.77	0.8	10.1	11.3	225	45	600/900	VG95218T028C054	ERK 016846
FMGSGO 8x2x0.75	1.77	0.8	11.0	12.0	269	45	600/900	VG95218T028C059	ERK 016904
FMGSGO 10x2x0.75	1.77	0.8	12.2	13.4	341	30	600/900	VG95218T028C062	ERK 016911
FMGSGO 14x2x0.75	1.77	0.8	13.0	14.4	402	45	600/900	VG95218T028C067	ERK 016921
FMGSGO 16x2x0.75	1.77	0.8	14.4	15.8	479	30	600/900	VG95218T028C069	ERK 016924

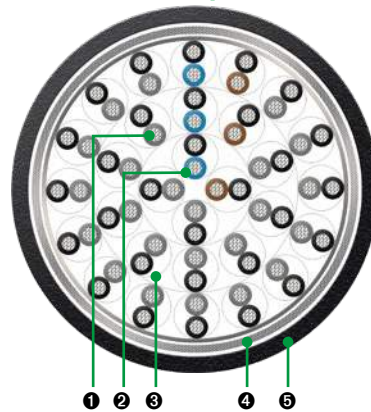
## Lightweight power cables

with overall electrical screen LFMGSSGO  
acc. to VG 95218 part 28E



## Lightweight communication cables

with overall electrical screen LFMGSGO  
acc. VG 95218 part 28C



### Application & characteristics

Suitable for fixed installation inside military vessels.  
Suitable for fixed installation in harsh environment areas.  
Suitable for fixed installation in military vehicles.  
Operating temperature > -40 °C up to +105 °C

### Construction

- ❶ Core > conductor with fine stranded wires
- ❷ Insulation > special elastomer
- ❸ Twisted pairs acc. to VG 95218 part 21F
- ❹ Double outer shielding > copper braid with tin-plated wires
- ❺ Sheath > flame retardant, cross-linked, black

### Application & characteristics

Suitable for fixed installation inside military vessels.  
Suitable for fixed installation in harsh environment areas.  
Suitable for fixed installation in military vehicles.  
Operating temperature > -40 °C up to +105 °C

### Construction

- ❶ Core > conductor with fine stranded wires
- ❷ Insulation > special elastomer
- ❸ Twisted pairs acc. to VG 95218 part 21F
- ❹ Outer shielding > copper braid with tin-plated wires
- ❺ Sheath > flame retardant, cross-linked, black

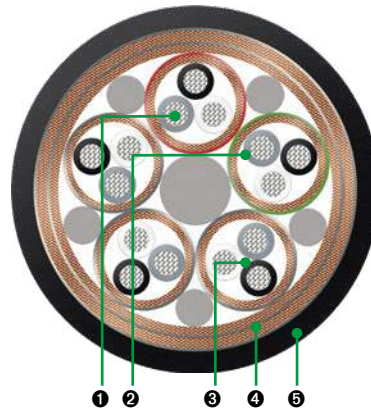
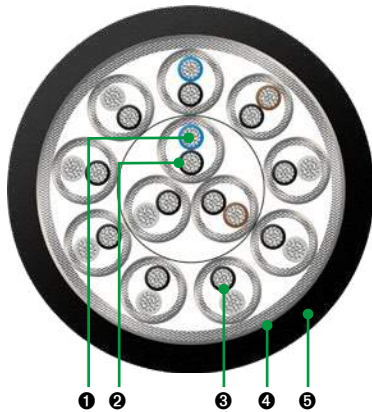
Type description	Ø single core max.	Sheath wall thickness min.	Cable Ø min.	Cable Ø max.	Weight max.	Transfer impedance max.	Operating voltage AC/DC	VG part no.	Order no.
	mm	mm	mm	mm	kg/km	mΩ/m	V		
<b>power cables – LMGSGO</b>									
LFMGSSGO 2x2x0.4	1.46	0.7	5.8	6.4	78	10	600/900	VG95218T028E004	ERK 019203
LFMGSSGO 4x2x0.4	1.46	0.7	8.0	9.0	139	10	600/900	VG95218T028E005	ERK 019196
LFMGSSGO 7x2x0.4	1.46	0.7	9.5	10.5	184	5	600/900	VG95218T028E006	ERK 016480
LFMGSSGO 12x2x0.4	1.46	0.8	11.5	12.7	285	5	600/900	VG95218T028E008	ERK 019202
LFMGSSGO 19x2x0.4	1.46	0.8	13.6	15.0	396	5	600/900	VG95218T028E010	ERK 017348
LFMGSSGO 27x2x0.4	1.46	0.9	16.1	17.9	569	5	600/900	VG95218T028E011	ERK 017362

<b>communication cables – LFMGSGO</b>									
LFMGSGO 30x2x0.4	1.46	0.9	15.5	17.1	493	30	600/900	VG95218T028C076	ERK 016937
LFMGSGO 45x2x0.4	1.46	0.9	18.1	20.0	699	30	600/900	VG95218T028C077	ERK 016940
LFMGSGO 60x2x0.15	1.13	1.7	19.5	21.5	643	50	600/900	VG95218T028C030	ERK 016944
LFMGSGO 1 x 2 x 0,5	0.94	0.7	5.1	5.5	49	100	600/900	VG95218T028C132	ERK 029026
LFMGSGO 2 x 2 x 0.5	0.94	0.7	7.9	8.3	92	70	600/900	VG95218T028C133	ERK 029027
LFMGSGO 3 x 2 x 0.4	0.84	0.7	8.0	8.4	101	70	600/900	VG95218T028C134	ERK 029028
LFMGSGO 4 x 2 x 0.5	0.94	0.9	11.3	11.7	193	50	600/900	VG95218T028C130	ERK 028991
LFMGSGO 4 x 2 x 0.25	0.66	0.7	6.6	7.2	96	100	600/900	VG95218T028C135	ERK 029119
LFMGSGO 10 x 2 x 0.5	0.94	1.1	16.8	17.6	420	100	600/900	VG95218T028C131	ERK 028996

# Lightweight communication cables

with pair and overall electrical screen  
**LFMSGSGO acc. to VG 95218 part 28C**

with pair and twin-overall electrical screen  
**LFMSGSSGO acc. to VG 95218 part 28E**



### Application & characteristics

Suitable for fixed installation inside military vessels.  
 Suitable for fixed installation in harsh environment areas.  
 Suitable for fixed installation in military vehicles.  
 Operating temperature > -40 °C up to +105 °C

### Application & characteristics

Suitable for fixed installation inside military vessels.  
 Suitable for fixed installation in harsh environment areas.  
 Suitable for fixed installation in military vehicles.  
 Operating temperature > -40 °C up to +105 °C

### Construction

- ❶ Core > conductor with fine stranded wires
- ❷ Insulation > special elastomer
- ❸ Twisted pairs acc. to VG 95218 part 21F
- ❹ Outer shielding > copper braid with tin-plated wires
- ❺ Sheath > flame retardant, cross-linked, black

### Construction

- ❶ Core > conductor with fine stranded wires
- ❷ Insulation > special elastomer
- ❸ Twisted triples acc. to VG 95218 part 21F
- ❹ Double outer shielding > copper braid with tin-plated wires
- ❺ Sheath > flame retardant, cross-linked, black

Type description	Ø single core max.	Sheath wall thickness min.	Cable Ø min.	Cable Ø max.	Weight max.	Transfer impedance max.	Operating voltage AC/DC	VG part no.	Order no.
	mm	mm	mm	mm	kg/km	mΩ/m	V		
<b>communication cables – LFMSGSGO</b>									
LFMSGSGO 2x2x0.4	1.46	0.7	8.3	9.1	125	70	600/900	VG95218T028C039	<b>ERK 016882</b>
LFMSGSGO 4x2x0.4	1.46	0.7	9.3	10.3	178	45	600/900	VG95218T028C049	<b>ERK 016897</b>
LFMSGSGO 7x2x0.4	1.46	0.8	11.3	12.3	263	45	600/900	VG95218T028C056	<b>ERK 016851</b>
LFMSGSGO 12x2x0.4	1.46	0.8	13.7	15.1	407	30	600/900	VG95218T028C064	<b>ERK 016916</b>
LFMSGSGO 19x2x0.4	1.46	0.8	16.8	18.6	603	30	600/900	VG95218T028C071	<b>ERK 016931</b>
LFMSGSGO 27x2x0.4	1.46	0.9	19.4	21.4	806	30	600/900	VG95218T028C075	<b>ERK 016935</b>

<b>communication cables – LFMSGSSGO</b>									
LFMSGSSGO 5x3x0.4	1.46	0.8	11.6	12.8	328	5	600/900	VG95218T028E007	<b>ERK 016733</b>
LFMSGSSGO 12x3x0.4	1.46	0.9	16.5	18.3	624	5	600/900	VG95218T028E009	<b>ERK 016868</b>